



Fitting Instructions

TOWBAR TY112
For TOYOTA COROLLA
3 Door Hatchback
1997-

MATERIALS

A	1	Crossbar
C	1	Centre Bracket with European facing to ISO 3853 (BS AU114)
D	6	M10 x 45mm x 1.5 mm Bolts, Nuts, Lock Washers and 10 Large Flat Washers (30mm OD)
E	2	M8 x 30mm x 1.25 mm Bolts, Lock Washers, (2) Flat Washers (20mm O.D.) and (4) Flat Washers (25mm O.D.)
E1	2	Cleats (1 left and 1 right hand)
F	2	M8 x 50mm x 1.25 mm Bolts, Nuts, Lock Washers, (6) Flat Washers (25mm O.D.)
F1	2	Cleats (1 left and 1 right hand)
G	2	M16 x 50mm x 2.0 mm Bolts, Nuts and Lock Washers.
X	2	M12 x 1.25mm Nuts and Lockwashers
CB	2	M16 x 50mm x 2.0mm Coupling Bolts, Nuts and Lock Washers

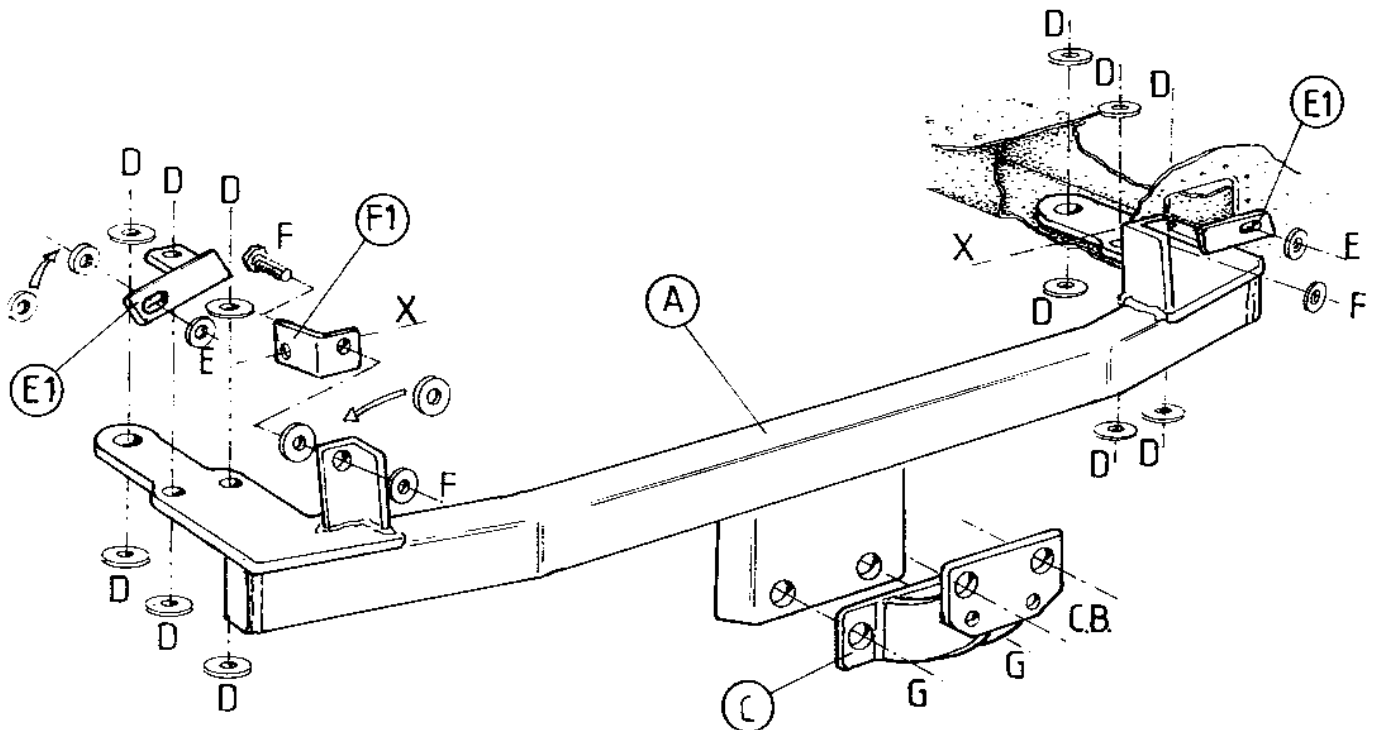
FITTING

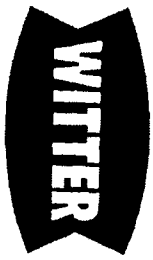
1. Remove bumper (4 small nuts inside boot behind trim panel, 2 plastic fixings on lower edge and 2 tip bolts each side - underneath mud flap/moulding held on by 4 small bolts)
2. Remove and discard the towing eyes and steel pressings covering frame ends.
3. Loosely attach Cleats (F1) to vehicle frame using original towing eye bolts, together with nuts provided at (X), and to the rear panel using Bolts (F) inserted from forward face. Tighten all bolts.
4. Insert Crossbar (A) into open ends of the chassis and loosely attach using Bolts (D) with Large Flat Washers both inside the frame and on the underside of the vehicle, and Cleats (E1) attached to the outermost Bolts (D) and vehicle rear panel using Bolts (E). Use Spacer washers supplied on protruding ends of Bolts (F) and between Cleats (E1) and rear panel, as required. Tighten all bolts.
5. Refit bumper and attach Centre Bracket (C) using Bolts (G). Tighten all bolts.

Note: This towbar must be used with either a Witter Towball (part number Z1) or Class A50-1 or A50-X towball dimensionally conforming to A50-1 with a 'D' and 'S' value greater than or equal to that of the towbar.

Please refer to the vehicle specification for the trailer weight and nose limits, which **must be observed**.

Recommended torque settings: M8 - 27Nm, M10 - 53 Nm, M12 - 95 Nm, M14 - 150 Nm, M16 - 214 Nm





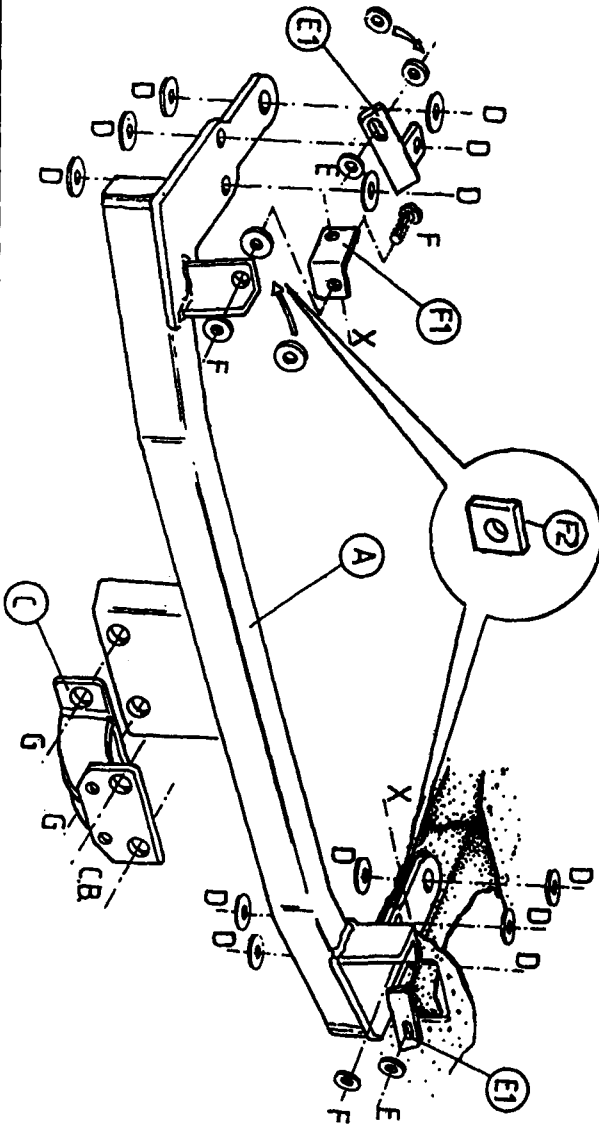
Fitting Instructions

Supplementary Fitting Kit TY112-S
For Towbar
TOYOTA COROLLA
3 Door Hatchback

MATERIALS

F2 2 6mm Spacers

FITTING- USE THESE SPACERS F2 FOR YEAR 2000 ONWARDS VEHICLES



WITTER TOWBARS Deeside Ind. Park, Deeside, CH5 2NY Tel: 01244 284500 Fax: 01244 284577

Issue 1