



# Fitting Instructions

TOWBAR RN67R  
For RENAULT LAGUNA ESTATE  
(2001-)

## MATERIALS

A	1	Crossbar
D	2	Side arms
E	1	Safety Chain Spacer
F	4	M8 x 30mm Bolts, Lock Washers and Flat Washers (25mm O.D.)
G	4	M12 x 35mm Bolts, Nuts, Lock Washers and Flat Washers (25mm O.D.)
H	2	M12 x 75 mm Bolts and Nyloc Nuts (Supplied with detachable kit)
J	2	M10 x 90 Bolts, Nuts, Lock Washers and Large Flat Washers (50mm O.D.)
J1	2	Bushes (17mm O.D. – 58mm long)
M	1	Electrical Mounting Plate
ZR	1	ZR2MOOO Detachable Unit

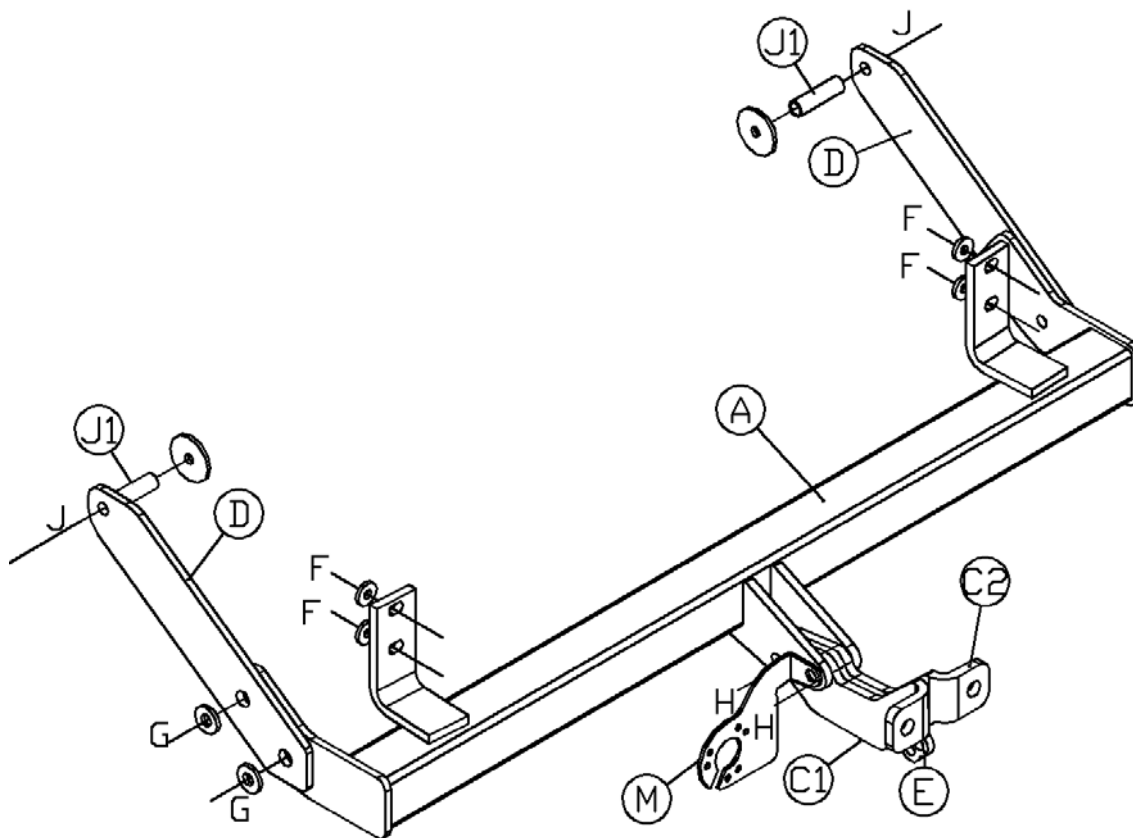
## FITTING

### No need to remove bumper

1. Remove the plastic bungs protecting the captive threads in the rear panel at hole (F). Loosely attach Cross Bar (A) to captive nuts using Bolts (F) with Flat washers.
2. Remove the plastic bungs from forward mountings (J) and insert Bushes (J1) from the outside of the chassis rail. Loosely attach Sidearms (D) to Crossbar (A) using Bolts (G) and forward mounts (J) using Bolts (J) with Flat washers.
3. Please refer to ZR2 fitting instruction
4. **Fully tighten all Bolts.**

Please refer to the vehicle specification for the trailer weight and nose limits, which **must be observed**.

**Recommended torque settings:** M8 - 27Nm, M10 - 53 Nm, M12 - 95 Nm, M14 - 150 Nm, M16 - 214 Nm



# Fitting Instructions

Detachable Towball System

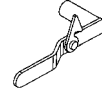
ZR2

## MATERIALS

**A** Towball Receptor Unit



**B** Handle



**C** Towball Neck



**P** Safety Chain Plate  
Nylocs



**W** Weather Cover

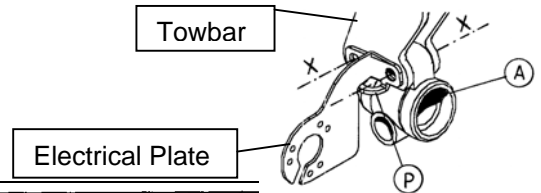


**S** Towball Neck Bag

**2** M12 x 75mm x 1.75 Bolts +

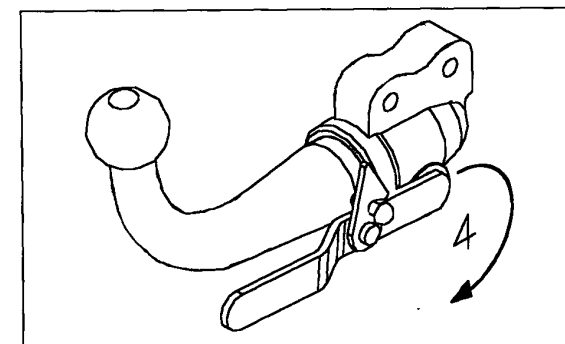
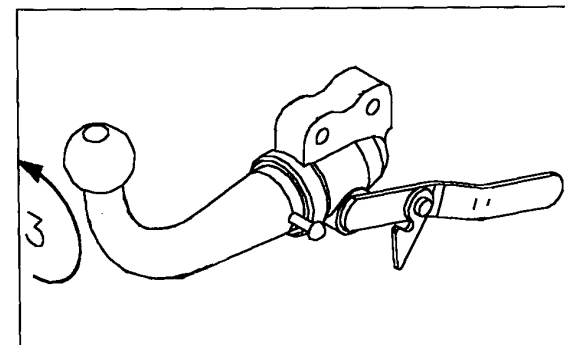
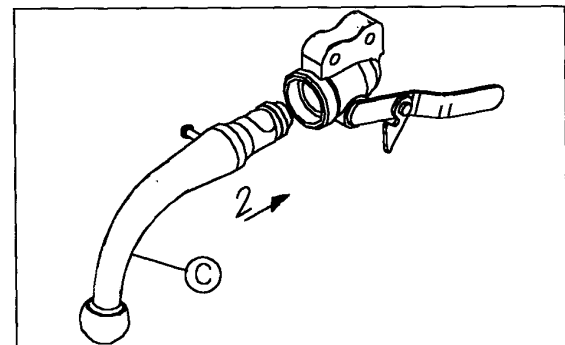
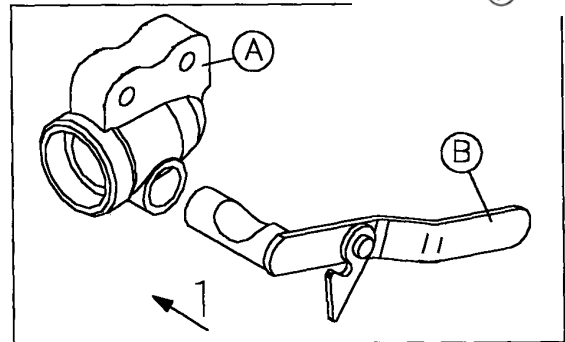
## FITTING OF TOWBALL RECEPTOR

1. Remove original bolts at (X) and Towbar Centre Part (if fitted).
2. Attach Towball Receptor Unit (A), Safety Chain Plate (P) and original Electrical Plate if removed, to Towbar Centre Plates using replacement Bolts and Nyloc Nuts.
3. Tighten Bolts to 96 Nm.



## DETACHABLE OPERATION

1. Slide Handle (B) into Towball Receptor Unit (A) and keep orientated as shown.
2. Slide Towball Neck (C) into Towball Receptor Unit (A).
3. Rotate Towball Neck (C) anti-clockwise 180°.
4. Rotate Handle (B) clockwise until Spring Loaded Lock clips into position as shown.



## REMOVAL OF TOWBALL

Removal is a reverse of the above procedure. Place Handle (B) and Towball Neck (C) in bag provided. After removing Towball Neck (C) fit Weather Cover (W) to Towball Receptor Unit (A).